



PRODUCT CODE:

# SCS-06

PRODUCT TYPE:

## 90° Glass to Glass Hinge

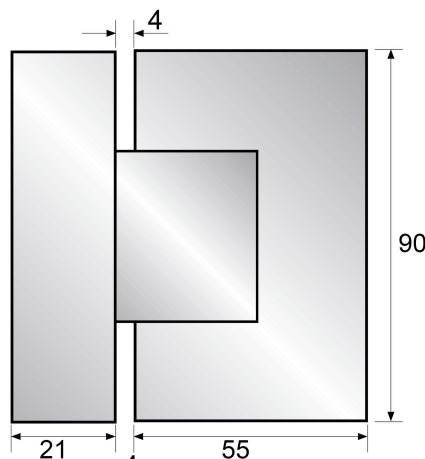
TECHNICAL DETAILS:

- 90° glass to glass
- Suits 10mm glass
- Ultra durable, solid brass plate
- Chrome plated & electroplated
- Open/close in either direction
- Self closing from 25°
- Max weight: 45kg

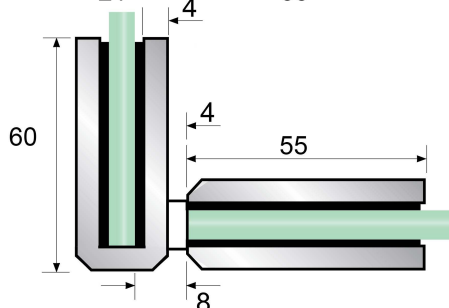
AVAILABLE FINISHING:

- **Chrome Plated**

FRONT VIEW



TOP VIEW



HINGE CUTOUT DETAIL

